

Uninterruptible power supply (UPS)

S8BA & BU_2RWL series



- Small size: 800g (Li-Ion batteries)
- Life expectancy of 10 years
- Plug-in installation

Let nothing interrupt your power

To ensure stable power supply, also in less stable supply networks around the world, we are constantly expanding our range to include UPS systems. The S8BA series is ideal as a countermeasure for instantaneous voltage drop and power interruptions.

Life-expectancy
of 10 years

Lightweight, allows S8BA to be
directly mounted on the DIN-rail

Push-in terminal blocks provide
effortless installation



S8BA
Uninterruptible
Power Supply (UPS)

Hot - swappable
batteries provide
uninterrupted
operation at all time

Hot - swappable batteries



LED indicators show the
status of the power supply

Smallest in the market with weight of
just 800 g (Li-Ion batteries) contributes
towards downsizing of the panels



3X Connection
USB - RS232C - I/O
Communication connections, allow
compatibility with a variety of factory
automation controllers & PC's.

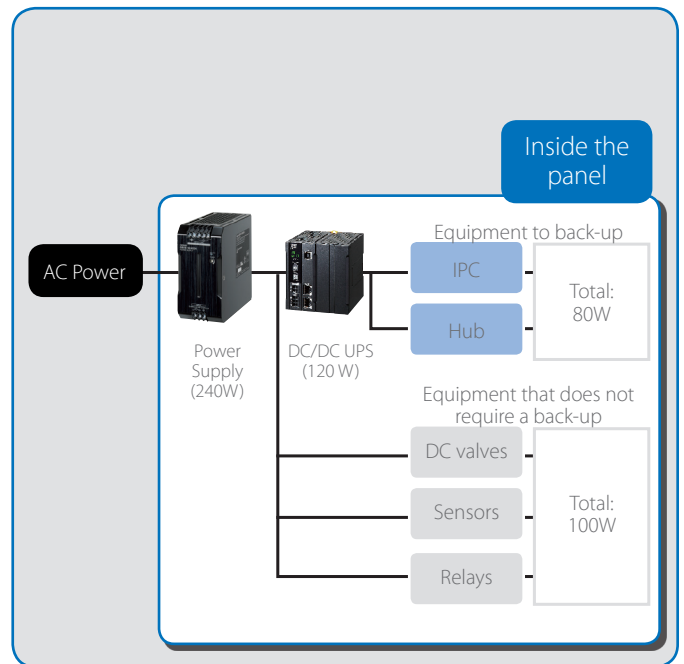


How big is the machine or panel you would like to back up?

Where do you want to install the UPS?

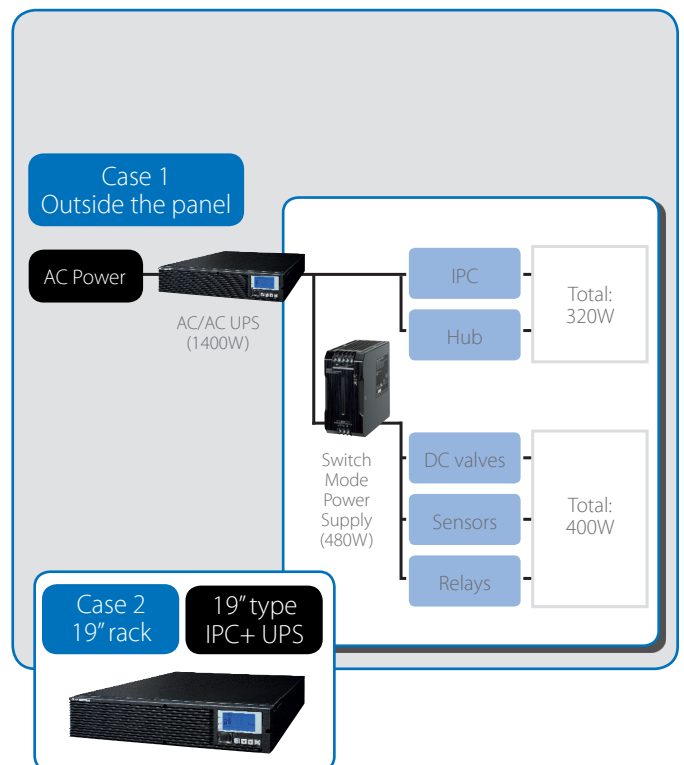
**Small back-up capacity
DC/DC UPS in control panel or on DIN-rail**

Ideal for when only a single piece of equipment or a small machine needs to be backed up. Suitable for harsh environments. Also at just 800g this UPS can be installed in the panel, mounted on DIN-rail.

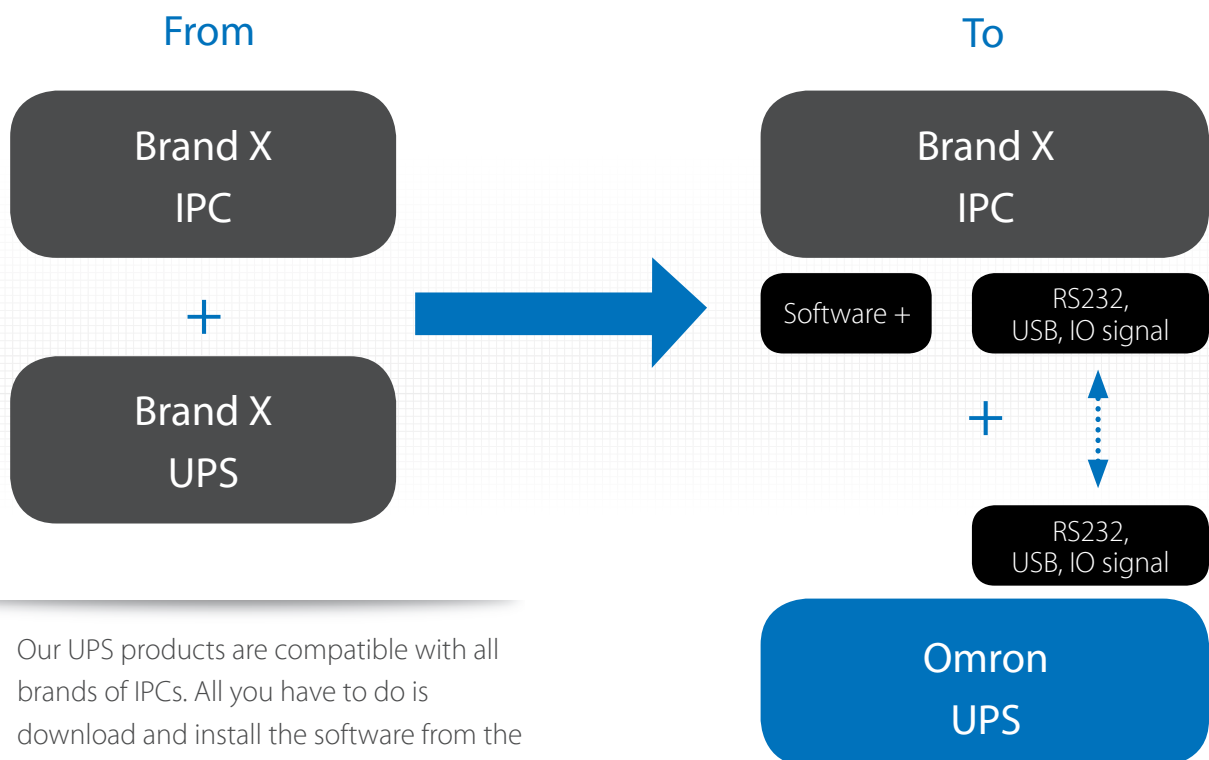


**Large back-up capacity
AC/AC UPS in free-space or in a 19" rack**

When an entire system needs to be backed up. This UPS can be placed outside of the panel. Multiple mounting online AC-AC type can be used as a standalone device or can be mounted in a 19" rack.



Flexibility of our UPS products



Our UPS products are compatible with all brands of IPCs. All you have to do is download and install the software from the following link (industrial.omron.eu/s8ba). Once installed, you should be able to use our UPS with any IPC brand.



S8BA Series

Additional features:

- Wide range of power failure detection (DC24V±5%/±10%/±12.5%)
- Support 6 IO signals: Backup(BU), Low level(BL), Trouble(TR), Battery replacement(WB) Input: UPS stop (BS), Remote On/OFF
- S8BA can supply a stable power as the DC/DC converter adjusts the output voltage of the battery to 24Vdc.
- S8BA helps back-up data in IA controllers such as NX/ NJ and IPC and servo / motor systems



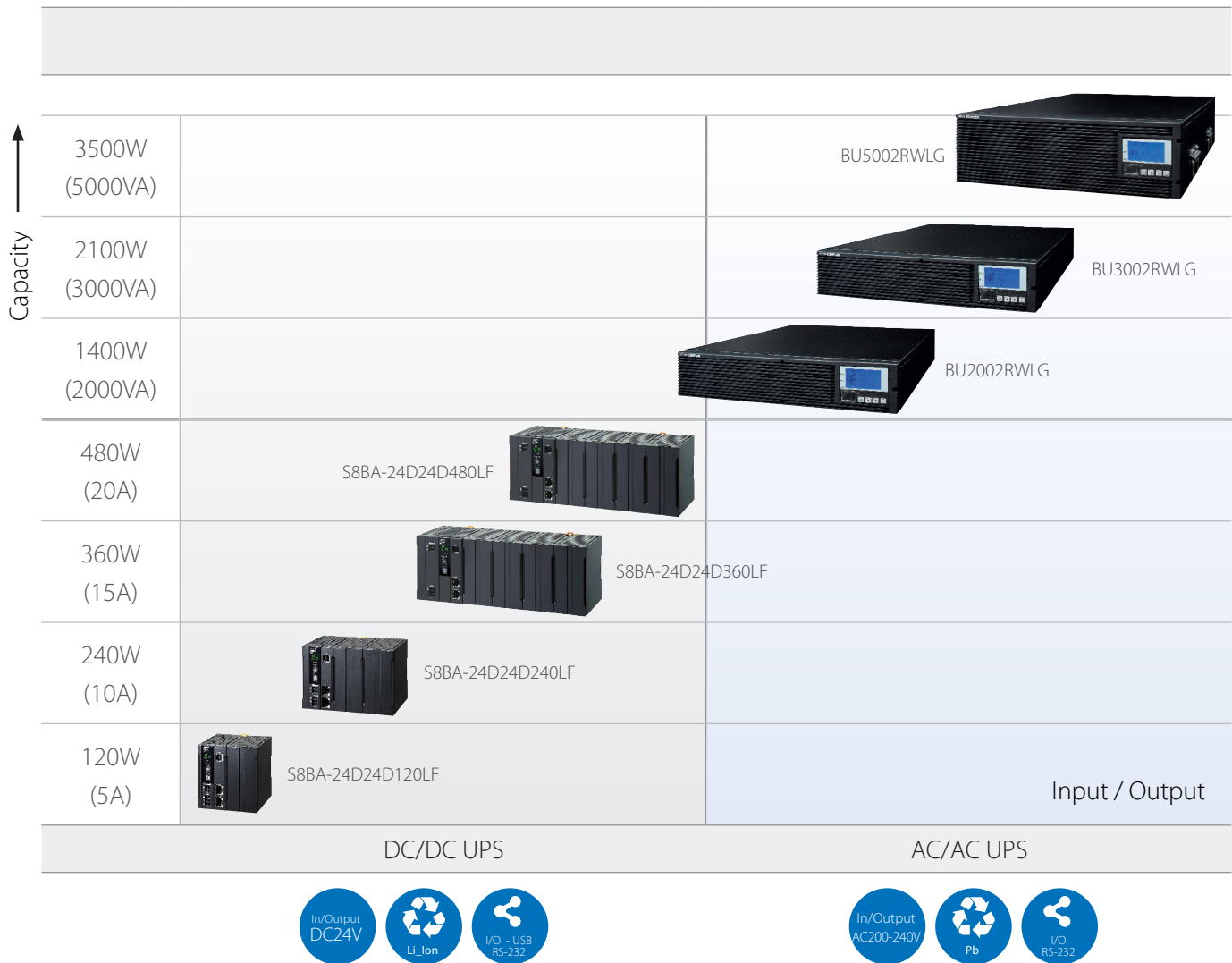
BU_2RWL Series

Features and benefits:

- Multiple mounting online type UPS
- Online power supply method: continuous power supply against instantaneous voltage drop or power interruptions
- LCD operation without PC & multiple mounting methods.
- Standardised single product for use in different environments.
- Variety of connections for industrial automation needs Input / Output Terminal block, USB, RS-232C, I/O port for communication and external remote on/off signal
- Hot-swappable batteries: Ensure clean, uninterrupted power to protected equipment while batteries are being replaced



Our UPS product family to fulfill your back up application.



Our UPS family is structured into two different products (S8BA & BU_2RWL). Products are able to support various applications such as packaging, material handling, Food & Beverage, and machine tools.



Compact DC-DC UPS with a DIN-rail for mounting, best suited for the prevention of voltage drop and power failure in industrial PCs (IPC)/controllers

- System reliability greatly improved because 24 VDC power supply is backed up for a certain period of time in the event of voltage drop or power failure.
- Compact, weight reduction, and long battery life thanks to the adoption of a lithium-ion battery.
- Push-in terminal block adopted for the power input and output connections.
- Shutdown in conjunction with the IPC or controller realized by the USB, RS-232C, I/O port installed in the UPS.

Ordering information

Uninterruptible power supply (UPS)

Input voltage	Output voltage	Output current/capacity	Battery type	Terminal block shape	Order code
24 VDC	24 VDC	5 A/120 W	Lithium-ion battery	Push-in terminal block	S8BA-24D24D120LF
		10 A/240 W			S8BA-24D24D240LF
		15 A/360 W			S8BA-24D24D360LF
		20 A/480 W ^{*1}			S8BA-24D24D480LF

^{*1} 16.7 A/400 W for use as a UL compliant device.

Communication cable

Specifications	Type	Length	Order code
For RS-232C port	RJ45/Dsub9Pin	2 m	S8BW-C01
For Contact port	RJ45/Discrete wire x 8P	2 m	S8BW-C02

Specifications

Item	Capacity	120 W	240 W	360 W	480 W ^{*1}	
DC input	Rated input voltage	24 VDC				
	Input voltage range	(When standard voltage sensitivity is set)	24 VDC±10%			
		(When low voltage sensitivity is set)	24 VDC±12.5%			
		(When high voltage sensitivity is set)	24 VDC±5%			
	Input maximum current	(for rated input voltage)	5.9 A	11.7 A	17.5 A	23.3 A ^{*2}
	Input terminal	Push-in terminal block				
Inrush current	12 A max., 0.1 ms max.		14 A max., 0.1 ms max.	16 A max., 0.1 ms max.		
DC output	Rated current	(for rated output voltage)	5 A	10 A	15 A	20 A ^{*3}
	Switching time	Uninterrupted				
	Output voltage	Normal operation	Output of input voltage as-is			
		Backup operation	24 V±5%			
Output terminal	Push-in terminal block					
Battery	Type	Lithium-ion battery				
	Rated voltage	14.4 VDC				
	Rated capacity	1600 mAh × 1 parallel	1600 mAh × 2 parallel	1600 mAh × 3 parallel	1600 mAh × 4 parallel	
	Expected battery life ^{*4}	2.5 years (50°C), 5 years (40°C), 10 years (25°C)				
	Replacement by user	Yes (Hot swapping)				
	Charging time	4 hours ^{*5}				
Backup time (25°C, initial characteristics)	6 min. (120 W)		6 min. (240 W)	6 min. (360 W)	6 min. (480 W)	
Environment	Operating ambient temperature/humidity	0 to 55°/10 to 90% (with no condensation)				
	Storage ambient temperature/humidity	-20° to 55°/10 to 90% (with no condensation)				
Enclosure	Dimensions (W × D × H mm)	94 × 100 × 100	148 × 100 × 100	270 × 100 × 100		
	Weight of unit	Approx. 0.8 kg	Approx. 1.3 kg	Approx. 2.0 kg	Approx. 2.3 kg	
	Cooling method	Natural cooling				
Safety standard compliance	UL508/CE/C22.2 No.107.1-01					
Internal power consumption (normal ^{*6} /maximum ^{*7})	7 W/22 W		11 W/41 W	14 W/60 W	18 W/80 W	
Serial communication	RS232C (Interface terminal)	Yes (RJ45)				
	USB (interface terminal)	Yes (B connector)				
I/O signal	Yes (RJ45)					

^{*1} 400 W for use as a UL compliant device.

^{*2} 20 A for use as a UL compliant device.

^{*3} 16.7 A for use as a UL compliant device.

^{*4} An estimated value for standard mounting. Not a guaranteed value.

*5 When using in an environment at a high temperature, charging may be paused by charging temperature protection, then the charging time will be longer than specified time.
 "CS" will be displayed when charging temperature protection is operated.
 *6 Conditions: With rated loads connected, at a rated input voltage, and with the battery fully charged.
 *7 Conditions: With rated loads connected, at a rated input voltage, and at the maximum battery charging current.

Backup time table (Time unit: minutes)

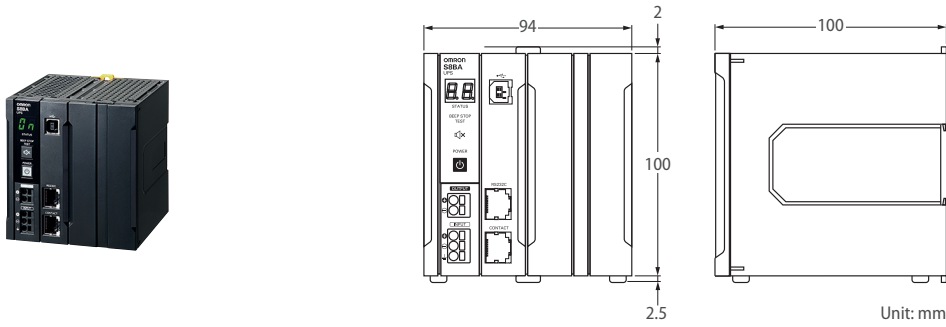
For devices that use the A indication, convert the capacity into W: $W = A \times 24$

	Capacity (W)									
	30	60	90	120	180	240	300	360	420	480
120 W	29	14	9	6	—	—	—	—	—	—
240 W	58	29	19	15	9	6	—	—	—	—
360 W	87	43	28	22	14	10	8	6	—	—
480 W	119	59	39	29	19	15	11	9	8	6

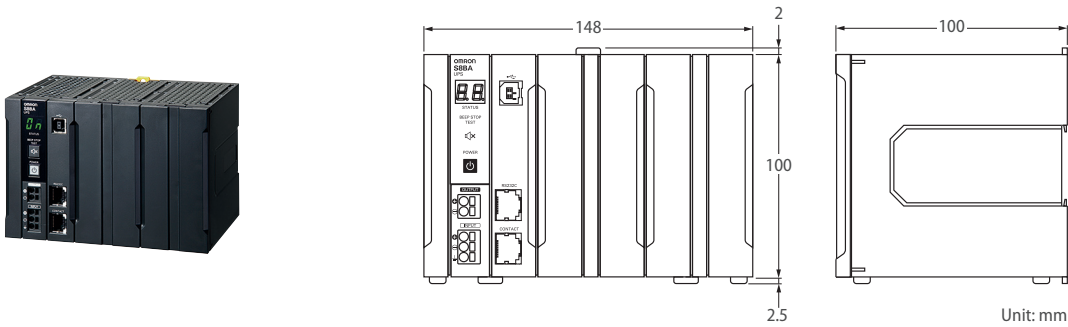
Note: The above backup times are for reference only. They may change depending on the battery life and external environment (such as temperature).

Dimensions

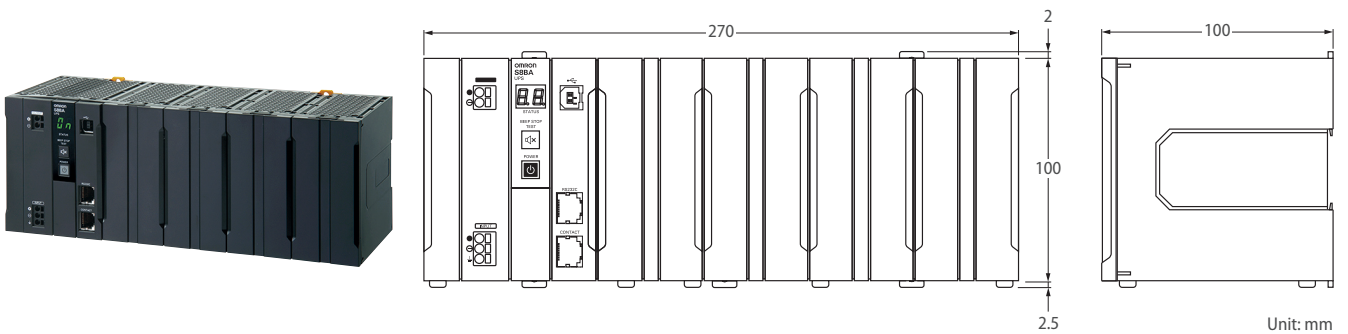
S8BA-24D24D120LF (120 W)



S8BA-24D24D240LF (240 W)



S8BA-24D24D360LF (360 W)
 S8BA-24D24D480LF (480 W)



Multiple mounting online AC-AC type UPS, useful in a variety of applications



- Online power supply method: Continuous power supply against instantaneous voltage drop or power interruptions
- Easy LCD operation without PC & multiple mounting methods.
- Multiple connections, input/output terminal block and RS232-C, I/O for external communication, plus external remote ON/OFF signal
- Hot-swappable batteries: Ensures clean, uninterrupted power to protect equipment during battery replacement

Ordering information

Input voltage	Output voltage	Capacity	Type	Order code
200/208/220/230/240 VAC	200/208/220/230/240 VAC	2000 VA/1400 W	Rackmount ^{*1} , Multi voltage power, Low power consumption	BU2002RWLG
		3000 VA/2100 W		BU3002RWLG
		5000 VA/3500 W		BU5002RWLG

^{*1} Can also use the included vertical stand when positioning the unit vertically

Specifications

		BU2002RWLG	BU3002RWLG	BU5002RWLG
Operation method		Full-time inverter supply method (high efficiency)		
AC input	Rated input voltage	200/208/220/230/240 VAC		
	Startup voltage range	200 V mode: 160±2 to 288±2 VAC, 208 V mode: 167±2 to 278±2 VAC 220 V mode: 176±2 to 278±2 VAC, 230 V mode: 184±2 to 278±2 VAC 240 V mode: 192±2 to 278±2 VAC, 100 V mode: 160±2 to 288±2 VAC		
	Input voltage range	200 V mode: 170±2 to 278±2 VAC, 208 V mode: 177±2 to 278±2 VAC 220 V mode: 186±2 to 278±2 VAC, 230 V mode: 194±2 to 278±2 VAC 240 V mode: 202±2 to 278±2 VAC, 100 V mode: 170±2 to 278±2 VAC		
	Input frequency	50/60 Hz±1, 3, 5, or 14% (5% in the factory settings)		
	Maximum current (at rated voltage)	9 A	14 A	23 A
	Phase	Single-phase, two-wire (grounded)		
	Input plug	Terminal block		
				NEMA L6-30P / Terminal block
AC output	Output capacity (upper limit)	2000 VA/1400 W (1000 VA/700 W in 100 V mode)	3000 VA/2100 W (1500 VA/1050 W in 100 V mode)	5000 VA/3500 W (2500 VA/1750 W in 100 V mode)
	Rated current (at rated voltage)	10 A	15 A	25 A
	Switching time	Uninterrupted		
	Output voltage (commercial operation)	200 V mode: 200 VAC±2%, 208 V mode: 208 VAC±2% 220 V mode: 220 VAC±2%, 230 V mode: 230 VAC±2% 240 V mode: 240 VAC±2%, 100 V mode: 100 VAC±5%		
	Output voltage (backup operation)	200 V mode: 200 VAC±2%, 208 V mode: 208 VAC±2% 220 V mode: 220 VAC±2%, 230 V mode: 230 VAC±2% 240 V mode: 240 VAC±2%, 100 V mode: 100 VAC±5%		
	Output frequency (commercial operation)	Synchronized with input frequency		
	Output frequency (backup operation)	50/60±0.5 Hz		
	Output waveform (in commercial power mode/battery mode)	Sine wave/Sine wave		
	Phase	Single-phase, two-wire		
	Output receptacles	Terminal block		NEMA L6-30R × 2, terminal block
Battery	Sealed lead battery life expectancy	5 years (ultralong operating life) (ambient temperature 25°C)		
	Battery capacity (V/Ah) (× Quantity)	12 VDC/9 Ah (× 4)	12 VDC/9 Ah (× 6)	12 VDC/9 Ah (× 12)
	Charging time	8 hours		
Backup time (25°C, initial characteristics)	5 min (1400 W)	5 min (2100 W)	5 min (3500 W)	
Dimensions in mm (W × D × H)	430×660×88 (2U)		430×700×132 (3U)	
Weight of unit	Approx. 28 kg	Approx. 33 kg	Approx. 61 kg	
Operating environment temperature/humidity	0 to 40°C/25% to 85% with no condensation			
Storage environment temperature/humidity	-15 to 50°C/10% to 90% (with battery fully charged, stored with no condensation)			
Noise regulation	VCCI Class A compliant			
Safety standard compliance	UL1778/CE/RoHS compliance			
Internal power consumption (normal ^{*1} /maximum ^{*2})	70 W/145 W	148 W/265 W	249 W/480 W	
Cooling method	Forced air cooling			
Serial communication (RS-232C) (interface)	■ (D-sub 9pin)			
Contact signal (interface)	■ (D-sub 9pin)			

^{*1} Rated load/rated input voltage/when fully charged

^{*2} Rated load/rated input voltage/when battery charge current is at maximum

Backup time table (Time unit: minutes)

Model	Capacity (W)																	
	20	50	100	200	300	400	600	800	1000	1200	1400	1600	1800	2000	2100	2700	3000	3500
BU5002RWLG	660	480	320	200	140	106	68	50	39	31	25	21	18	16	15	10	8	5
BU3002RWLG	450	260	165	93	63	45	28	19	15	11	9	7.5	6	5.2	5	-	-	-
BU2002RWLG	360	190	110	60	39	27	16	12	9.5	7	5	-	-	-	-	-	-	-

Note: These backup times are for reference only. Times may vary according to battery life and external environmental conditions (temperature, etc.)

Would you like to know more?

OMRON UNITED KINGDOM

 +44 (0) 1908 258 258

 industrial.omron.co.uk

 [linkedin.com/company/omron](https://www.linkedin.com/company/omron)

Sales & Support Offices

Austria

Tel: +43 (0) 2236 377 800
industrial.omron.at

Belgium

Tel: +32 (0) 2 466 24 80
industrial.omron.be

Czech Republic

Tel: +420 234 602 602
industrial.omron.cz

Denmark

Tel: +45 43 44 00 11
industrial.omron.dk

Finland

Tel: +358 (0) 207 464 200
industrial.omron.fi

France

Tel: +33 (0) 1 56 63 70 00
industrial.omron.fr

Germany

Tel: +49 (0) 2173 680 00
industrial.omron.de

Hungary

Tel: +36 1 399 30 50
industrial.omron.hu

Italy

Tel: +39 02 326 81
industrial.omron.it

Netherlands

Tel: +31 (0) 23 568 11 00
industrial.omron.nl

Norway

Tel: +47 (0) 22 65 75 00
industrial.omron.no

Poland

Tel: +48 22 458 66 66
industrial.omron.pl

Portugal

Tel: +351 21 942 94 00
industrial.omron.pt

Russia

Tel: +7 495 648 94 50
industrial.omron.ru

South Africa

Tel: +27 (0)11 579 2600
industrial.omron.co.za

Spain

Tel: +34 902 100 221
industrial.omron.es

Sweden

Tel: +46 (0) 8 632 35 00
industrial.omron.se

Switzerland

Tel: +41 (0) 41 748 13 13
industrial.omron.ch

Turkey

Tel: +90 212 467 30 00
industrial.omron.com.tr

More Omron representatives

industrial.omron.eu